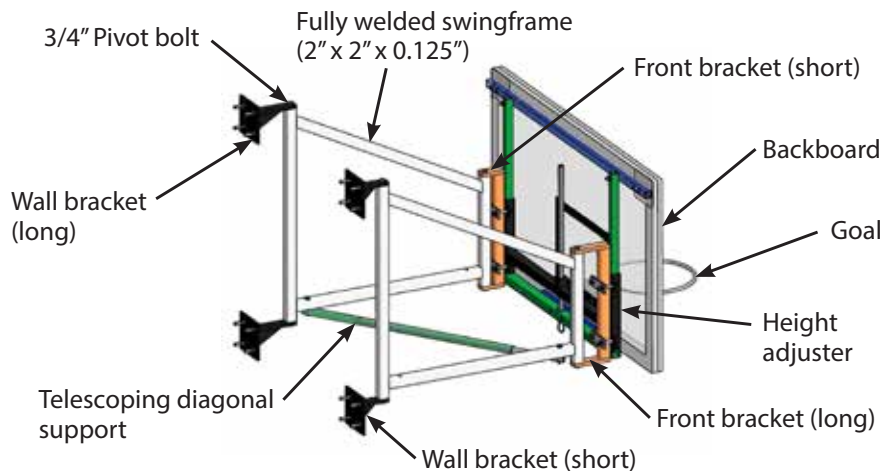


CASCADIA 1190 SERIES SIDE FOLDING BACKSTOP

Collapsible for
convenience

Cascadia 1190 Series System



Cascadia 1190 Series Side Folding Backstop

The most stable and strong design offered. Built with 2" x 2" x 0.125" HSS welded framework, 3/4" pivot hardware. Wall attachments are custom designed to suit wall construction. Telescopic positioning arm with spring loaded locking mechanism. Durable enamel finish in standard black, blue and white. Custom frame colors are also available.

Features and Options:

- Glass rectangular backboard
- Wood rectangular backboard
- Steel rectangular backboard
- Aluminum fan backboard
- Standard fixed goal
- Spring-loaded folding goal
- Height adjuster (manual)
- Cushion padding (glue on)
- Cushion padding (bolt on)

Backboard Options

Edge Padding Colors



Options

- Also available with EZ-Fold and Conversion framework
- Cushion safety padding
- Goal brace or direct mount height adjuster

Rectangular Steel



Features

Official size 72" x 42" rectangular backboard
Constructed of one-piece 12 gauge steel reinforced with formed steel channel sections at goal and mounting points.
Fan mounting dimensions.
Provides a vibration-free unit.
Features gloss white powder coat finish with silk-screened orange perimeter and target area markings.

Rectangular Fiberglass



Features

Official size 72" x 42" rectangular backboard
Molded from high strength fiberglass with structural ribs and thick outer flanges, providing maximum rigidity.
Goal mounting holes will accept standard 5" (127 mm) horizontal x 5" (127 mm) vertical or 5" (127 mm) horizontal x 4-1/2" (114 mm) vertical centers.
Features white finish with permanently silk screened 2" (51 mm) wide orange perimeter and target area markings.
Backboard completely weatherproofed for use indoors or outdoors.

Rectangular Glass



Features

Official size 72" x 42" rectangular backboard
Only for use with backstop structures with goal brace direct goal attachments.
Goal mounting holes (4) standard: 5" (127 mm) horizontal x 4" (102 mm) vertical mounting centers.
Frame constructed of heavy, clear anodized, non-glare aluminum extrusion. features fully tempered 1/2" (12 mm) glass with official white target and border permanently fired into the glass.
Entire frame, including goal mounting structure, fitted with shock absorbing neoprene material. This cushions and protects the glass section offering excellent rebound characteristics.