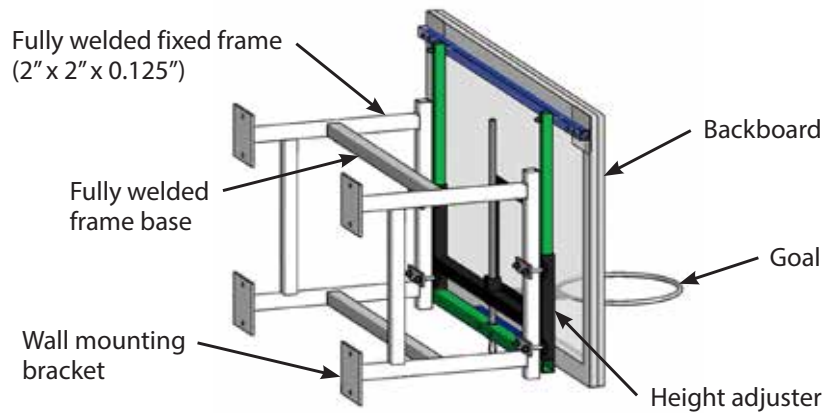


# CASCADIA 1120 SERIES FIXED BACKSTOP

Solid design for maximum support

## Cascadia 1120 Series System



### Cascadia 1120 Series Fixed Backstop

Strong and stable describes this design. Built with 2" x 2" x 0.125" HSS tubing. Wall attachments are custom designed to suit wall construction. Durable enamel finish in standard black, blue and white. Custom frame colors are also available.

### Features and Options:

- Glass rectangular backboard
- Wood rectangular backboard
- Steel rectangular backboard
- Aluminum fan backboard
- Standard fixed goal
- Spring-loaded folding goal
- Height adjuster (manual)
- Cushion padding (glue on)
- Cushion padding (bolt on)



Custom sport solutions

3012C Murray St. Port Moody, BC Canada V3H 1X2  
(604) 461.5208

[cascadiasport.com](http://cascadiasport.com)

## Backboard Options

### Edge Padding Colors



### Options

- Also available with EZ-Fold and Conversion framework
- Cushion safety padding
- Goal brace or direct mount height adjuster

### Rectangular Steel



### Features

Official size 72" x 42" rectangular backboard  
Constructed of one-piece 12 gauge steel reinforced with formed steel channel sections at goal and mounting points.  
Fan mounting dimensions.  
Provides a vibration-free unit.  
Features gloss white powder coat finish with silk-screened orange perimeter and target area markings.

### Rectangular Fiberglass



### Features

Official size 72" x 42" rectangular backboard  
Molded from high strength fiberglass with structural ribs and thick outer flanges, providing maximum rigidity.  
Goal mounting holes will accept standard 5" (127 mm) horizontal x 5" (127 mm) vertical or 5" (127 mm) horizontal x 4-1/2" (114 mm) vertical centers.  
Features white finish with permanently silk screened 2" (51 mm) wide orange perimeter and target area markings.  
Backboard completely weatherproofed for use indoors or outdoors.

### Rectangular Glass



### Features

Official size 72" x 42" rectangular backboard  
Only for use with backstop structures with goal brace direct goal attachments.  
Goal mounting holes (4) standard: 5" (127 mm) horizontal x 4" (102 mm) vertical mounting centers.  
Frame constructed of heavy, clear anodized, non-glare aluminum extrusion. features fully tempered 1/2" (12 mm) glass with official white target and border permanently fired into the glass.  
Entire frame, including goal mounting structure, fitted with shock absorbing neoprene material. This cushions and protects the glass section offering excellent rebound characteristics.