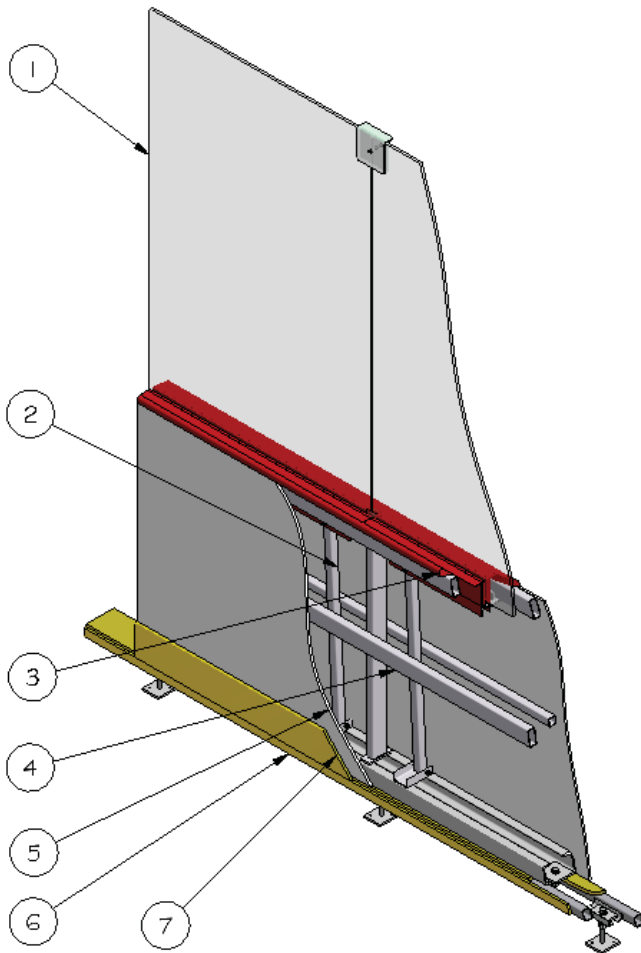




*CASCADIA was the only company to supply dasher boards for all competition and training venues for the Vancouver 2010 Winter Olympics*

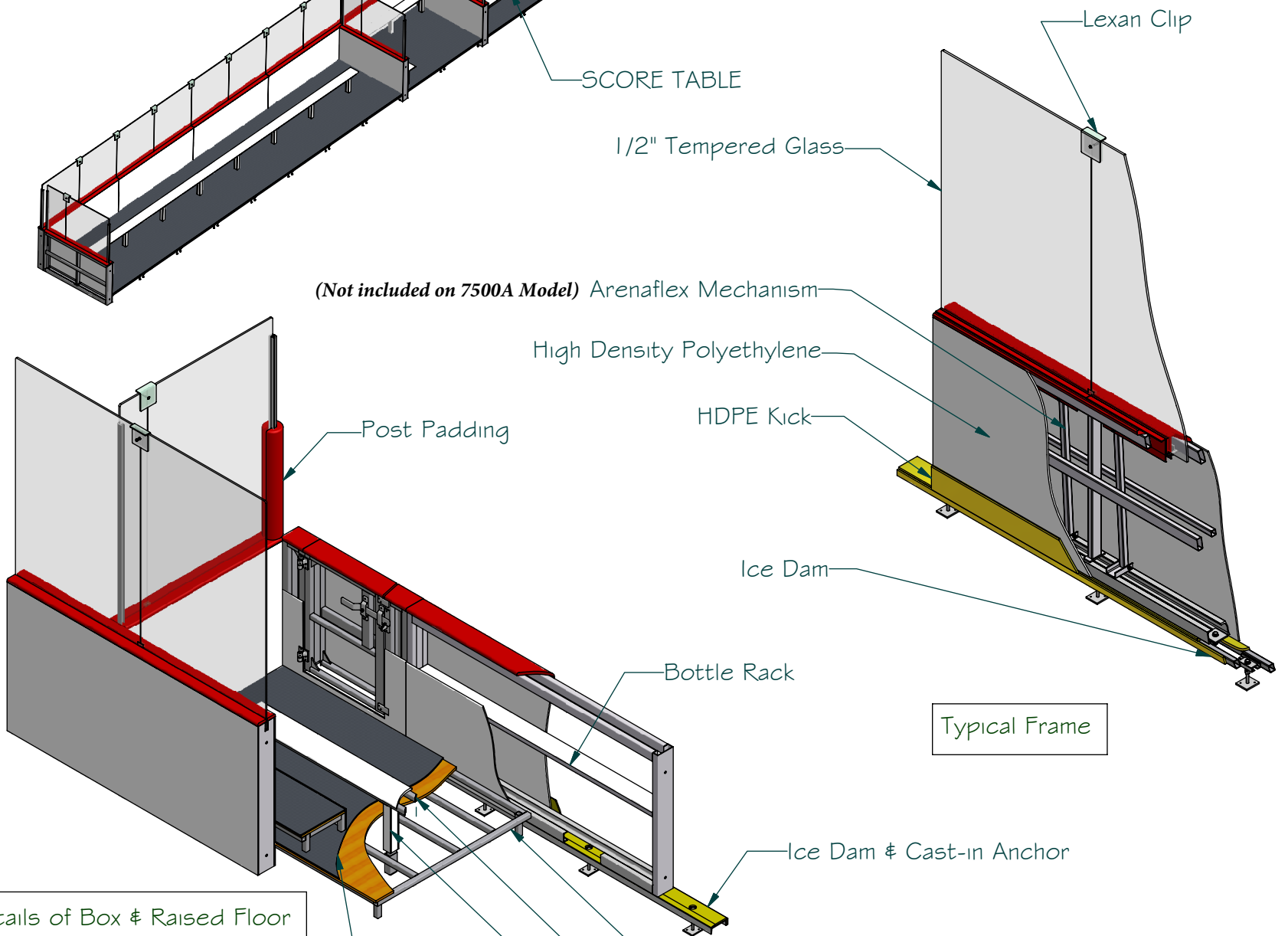
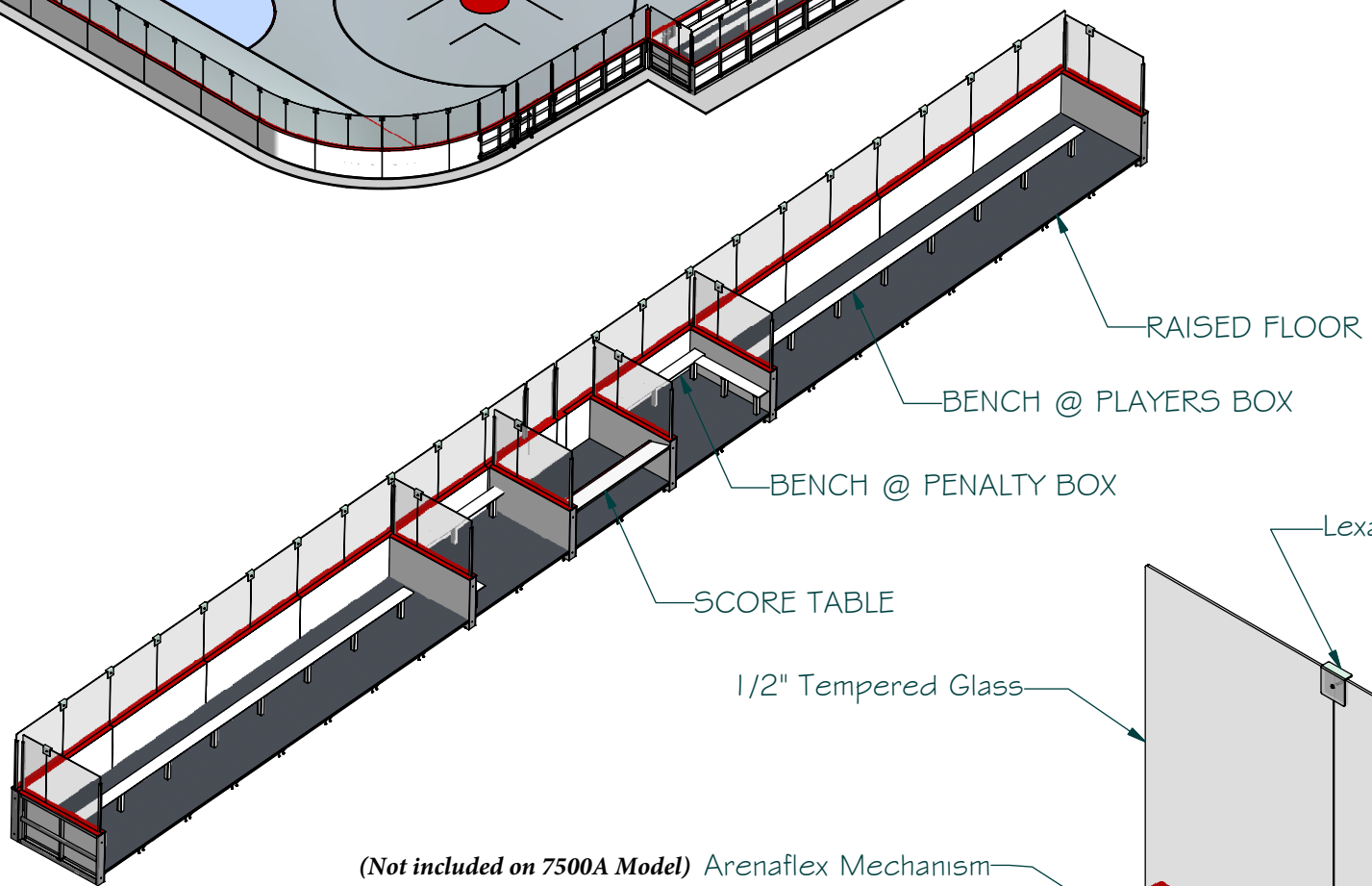
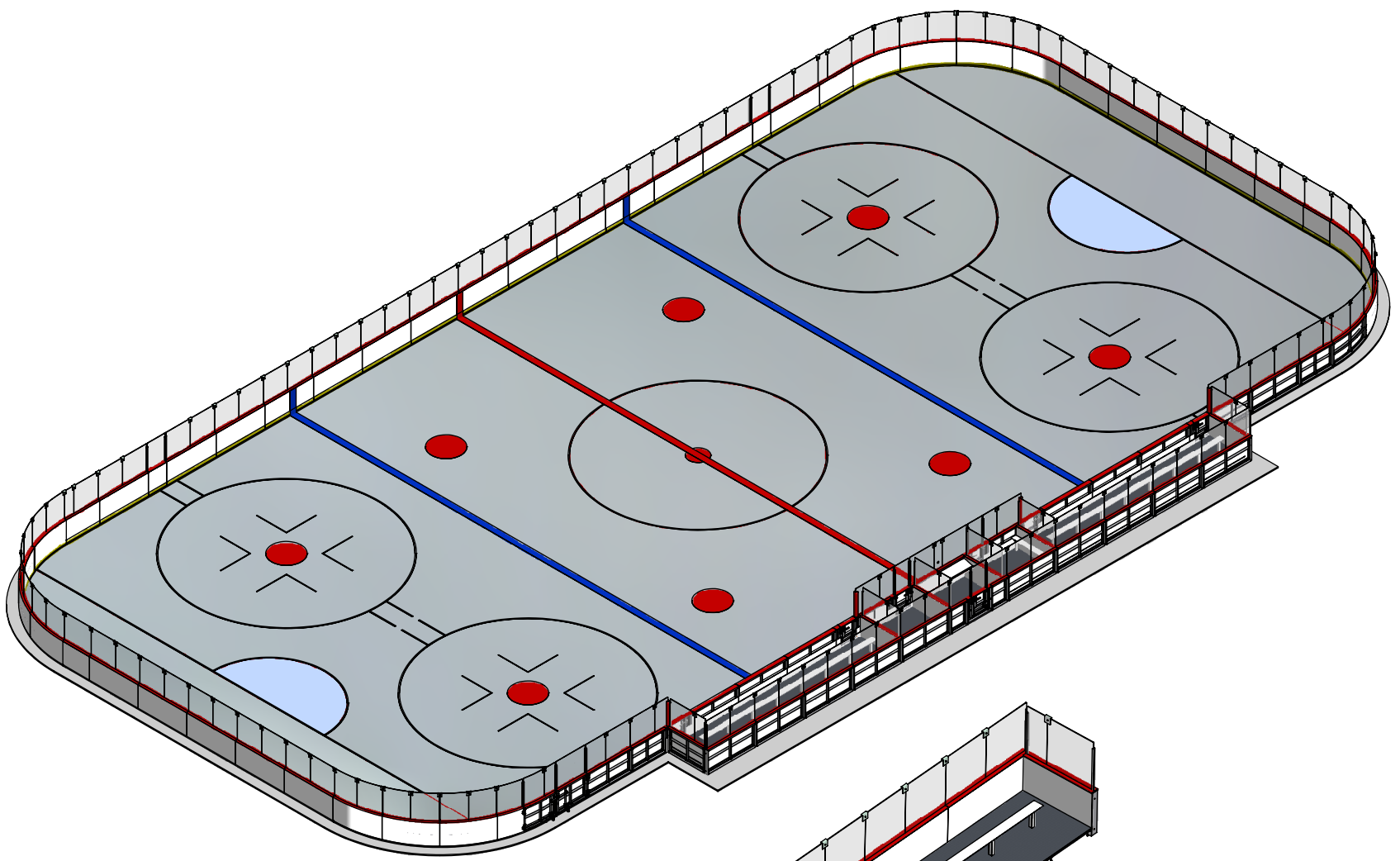


# *CASCADIA 7500 AF SERIES* *PROFESSIONAL POSTLESS DASHER BOARD*



1. *SHOCK ABSORBING TEMPERED GLASS*
2. *SPRUNG POSTLESS SYSTEM (Not included on 7500A Model)*
3. *CUSHIONED SILL*
4. *ALUMINUM FRAMEWORK*
5. *HIGH DENSITY POLYETHYLENE*
6. *ICE DAM*
7. *HDPE KICK*





Details of Box & Raised Floor